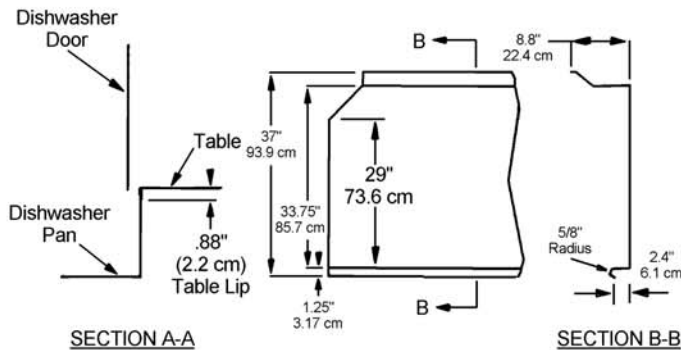


TOP VIEW



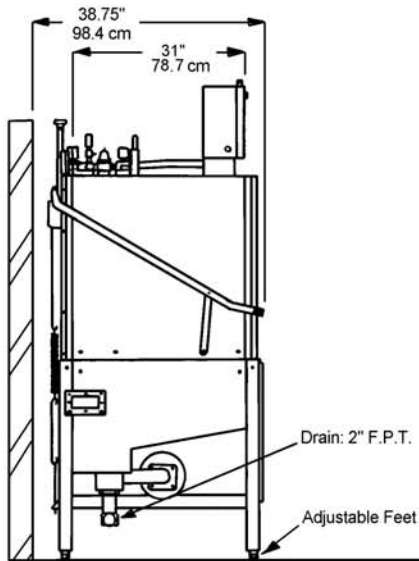
TOP VIEW

TYPICAL TABLE DETAILS

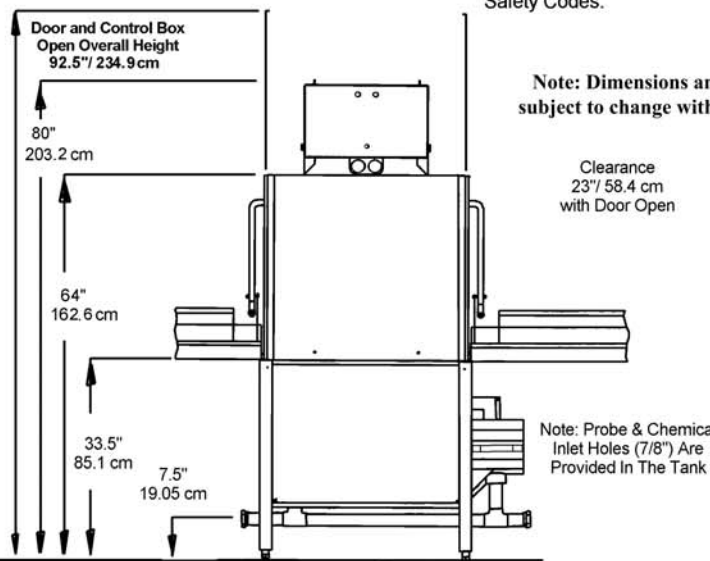
CAUTION:

Electrical and plumbing connections must be made by a qualified Service Person who will comply with all available federal, state, and local Health, Electrical, Plumbing, and Safety Codes.

Manufacturer reserves the right to modify these specifications in compliance with regulatory agencies and manufacturing expediency.



SIDE VIEW



FRONT VIEW

Note: Dimensions and Specifications are subject to change without prior notification.

Clearance 23\"/>

Note: Probe & Chemical Inlet Holes (7/8\"/>

NOTE:
All Dimensions listed have a tolerance of + or - 1/4\"/>



American Dish Service
Manufacturers of Ware Washing Equipment

WWW.AMERICANDISH.
MODEL HT-34 SPECIFICATIONS

U.S. Registered Patents

Rated Capacity (Racks/Hour):	15.8 Gals.
Wash Tank Capacity:	59.8 Liters
Water Temperature, Wash:	160 Deg. F.
Water Temperature, Rinse:	71 Deg. C.
Water Consumption:	180 Deg. F.
	82.2 Deg. C.

Wash Motor: **3 HP**

ELECTRICAL REQUIREMENTS: **3-PH, 208/240V, 40amp, 60 Hz**
5-wire connection(neutral, ground, 3 #8 power wires, 50a capacity)
Single PH: 208/240V, dual circuits 60/30 amp, 60 Hz
Circuit 1: (neutral, ground, 2 #10 ga. wires, 40a capacity)
Circuit 2: (2 #6 ga. wires, 75a capacity)

HT-25/HT-34 W/FACTORY INSTALLED BOOSTER: (3-Ph Only) single point
Connection req's 208/240V, 3Ph, 50a, 5-wire connection (Neutral, Ground, 3 #8 ga. power wires, 65 a capacity) High leg goes to L-3

Water Heater: **8 KW**

Rack Size: **Large: 29\"/>**

Door Clearance: **23\"/>**

Water Inlet: **1/2\"/>**

Drain: **2\"/>**

Height (All Doors Closed): **80\"/>**

Width, Table to Table (Inline Model): **34\"/>**

Width w/ Scrap Accumulator (Overall): **86.3 cm**

48\"/>

121.92 cm

Depth (Overall): **38.75\"/>**

Shipping Weight: **580 lbs.**

263 Kg.

Shipping Volume: **119.7 Cu./Ft.**