

**TOP VIEW**

**CAUTION:**

Electrical and plumbing connections must be made by a qualified Service Person who will comply with all available federal, state, and local Health, Electrical, Plumbing, and Safety codes.

\*Manufacturer reserves the right to modify these specifications in compliance with regulatory agencies and manufacturing expediency.

**NOTE:**

All dimensions listed have a tolerance of + or - 1/8" unless otherwise noted.



**American Dish Service**

Manufacturers of Ware Washing Equipment

WWW.AMERICANDISH.COM

**ET SERIES with PUMPED DRAIN and HEAT SPECIFICATIONS**

	FAMILY MODELS		
	ET-AF	ET-A	ET-AH
NSF RATED CAPACITY (Racks/Hr.)	30	24	20
WASH TIME (Sec.)	45	60	75
RINSE TIME (Sec.)	30	45	60
DWELL (Sec.)	15	15	15
TOTAL CYCLE TIME (Sec.)	90	120	150

WATER TEMPERATURE-SUPPLY WATER (NSF) 120 F Min. 49 C Min.

WATER CONSUMPTION (NSF RATED) 1.7 Gal's Per Cycle 6.4 Lit's Per Cycle

MOTOR RATING (PUMP) 1.5 HP

DRAIN MOTOR RATING 1.125 KW

SUSTAINER HEATER 1/20 HP (.037 KW) 1/2 KW

ELECTRICAL RATINGS (NEC) 115 Vac, 20amp brkr, 50/60Hz, 1Phase

Connect to Supply Source using 10-12 AWG copper wires using non-time delay fuse of 20 amp rating or 20 amp circuit breaker.

RACK SIZE 19.75" x 19.75" 50.2 cm x 50.2 cm

DOOR CLEARANCE "M" Series: 11" x 22.25" (27.9cm x 56.5cm) "3" Series: 14" x 22.25" (35.8cm x 57cm)

WATER INLET 1/2" FPT

DRAIN SIZE 3/4" I.D. Hose by 60" Long

PUMP-OUT HEIGHT (Maximum) 15"

HEIGHT OF STANDARD ET Min 33.5"-Max 34.5"

HEIGHT OF ET-AF-3 Min 36.5"-Max 37.5"

WIDTH (Overall) 25.5"

DEPTH (Overall) 64.8 cm

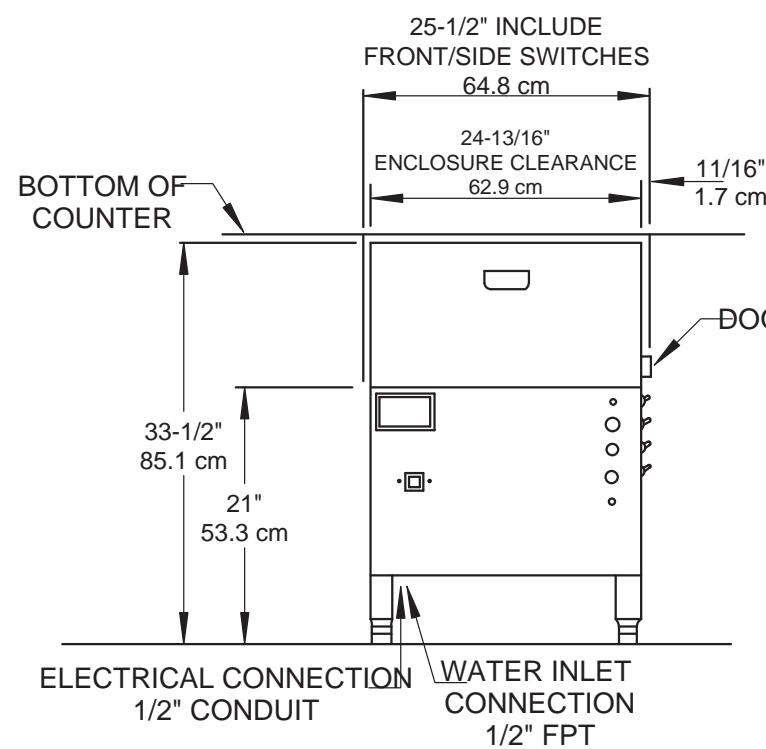
73.6 cm

SHIPPING WEIGHT "M" Series: 270 Pounds (122.5 kg)

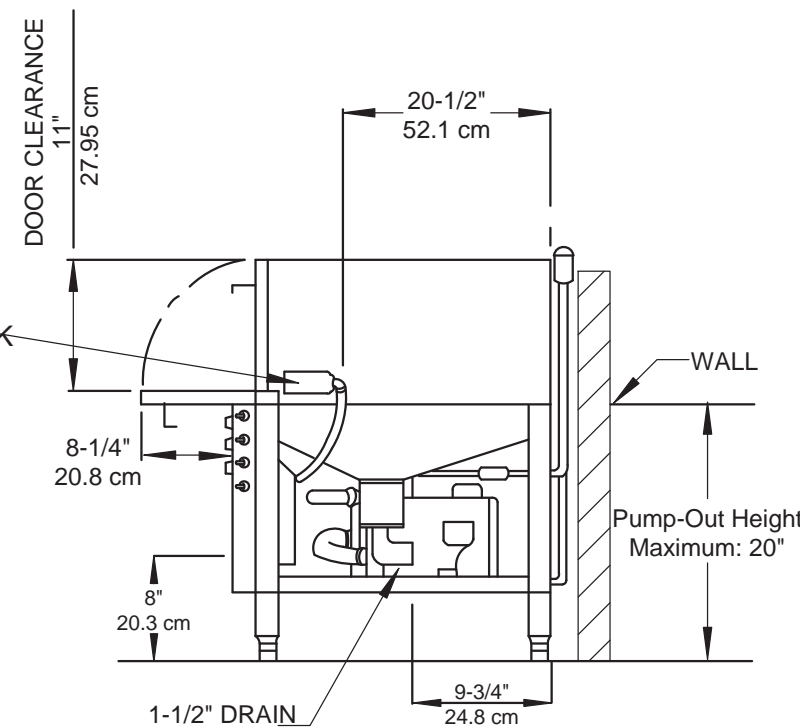
"3" Series: 274 Pounds (124.3 kg)

SHIPPING DIMENSIONS "M" Series: 36"L x 36"W x 41"H

"3" Series: 36"L x 36"W x 44"H



**FRONT VIEW**



**SIDE VIEW**