

Dimensions

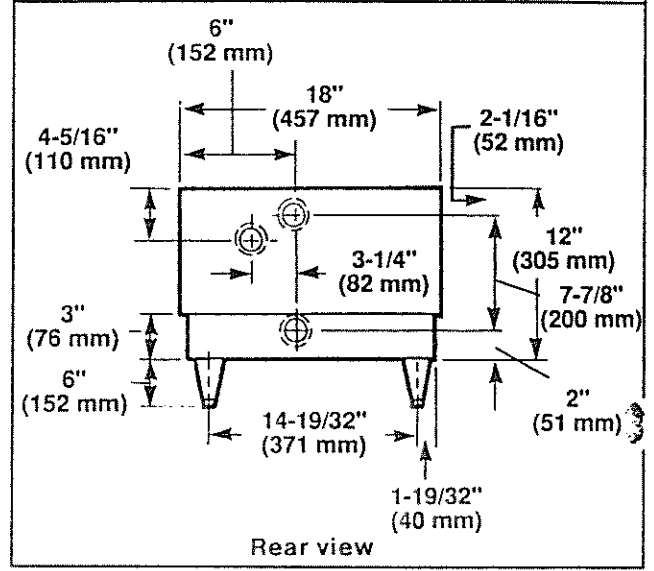
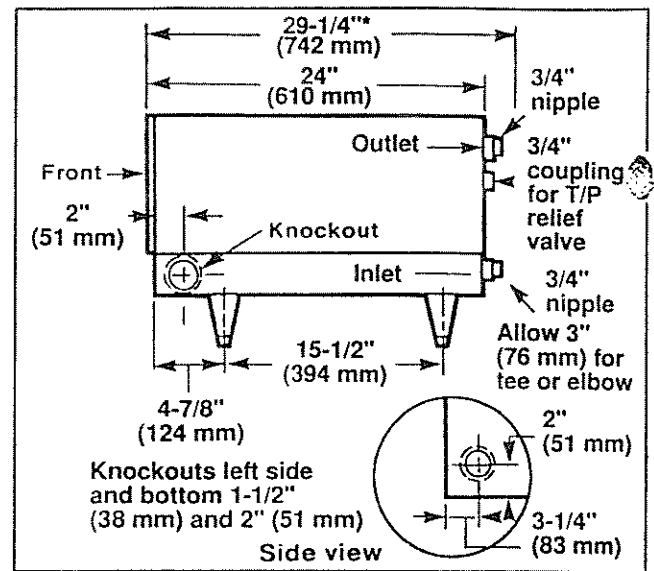
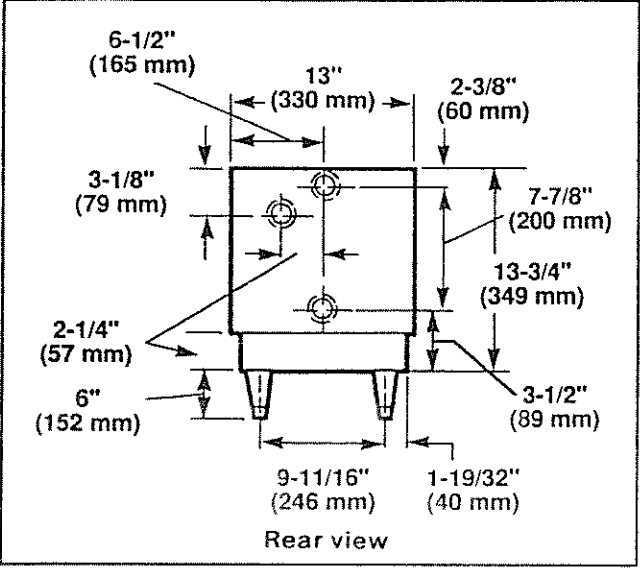
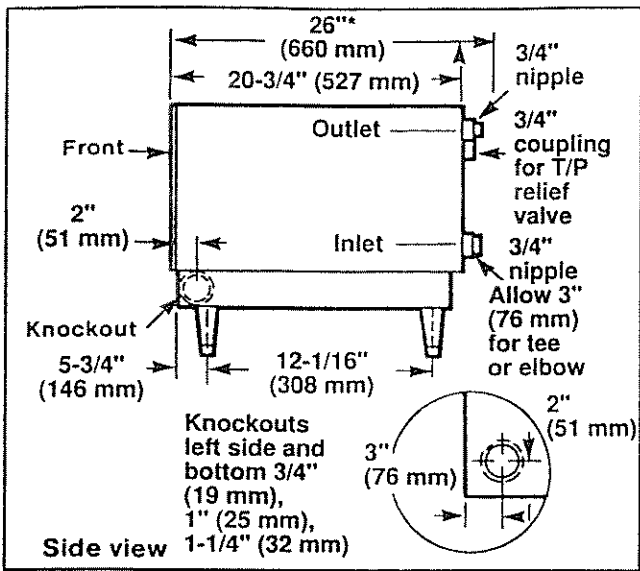


Figure 5. Compact - Models 4 to 18KW
*Includes Temp./Press. Relief Valve

Figure 6. Compact - Models 24 to 58.5KW
*Includes Temp./Press. Relief Valve