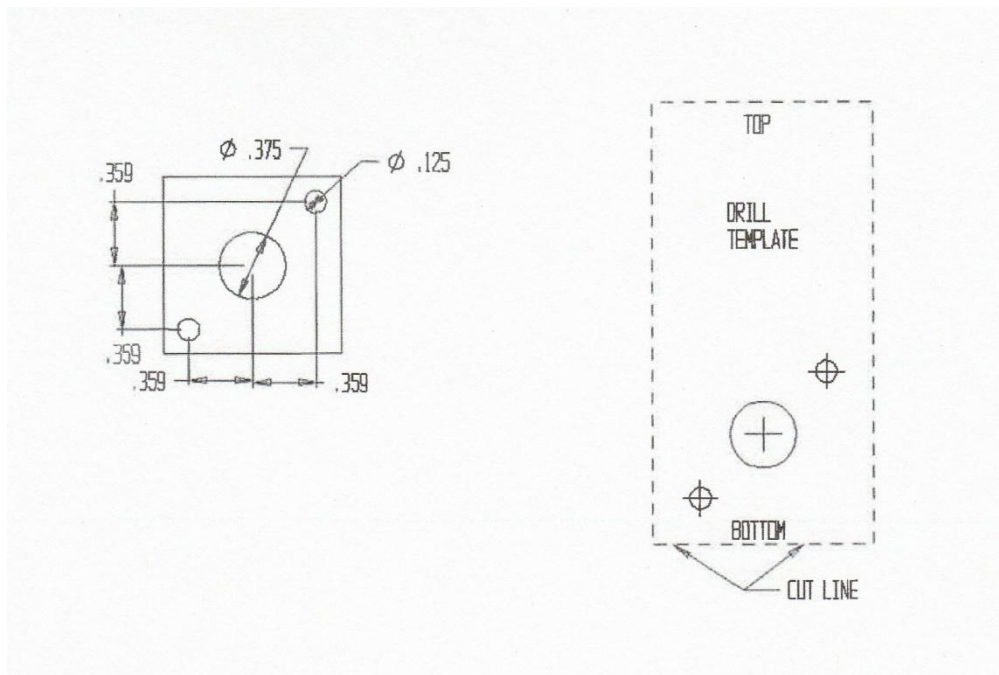


---

# ADS Technical Support

## Installation of ADS Chemical Alarm 031-0326 Kit for 2019



### LOW LEVEL ALARM INSTALLATION INSTRUCTIONS

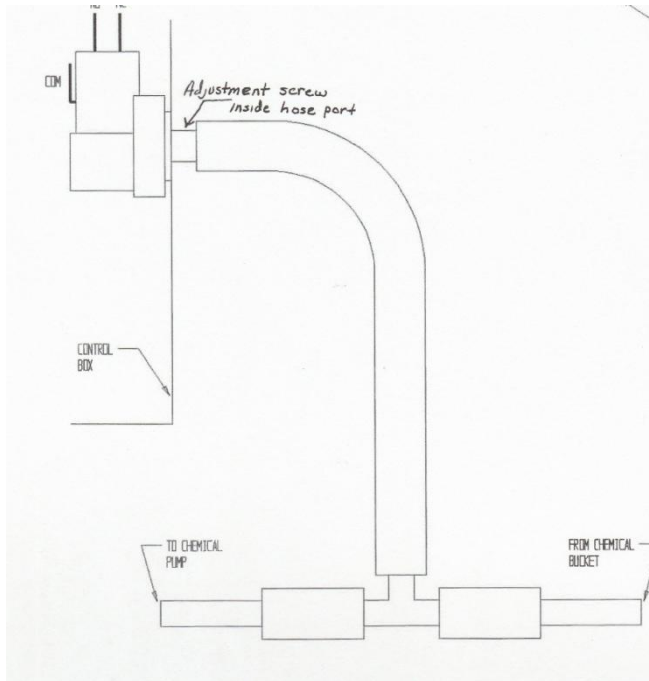
**⚠ Always wear approved personal protective equipment when working on chemical lines and pumps.**

1 Using the provided template, mark the holes and drill. The center hole is 3/8" and the two small holes are 1/8". NOTE: Mount the vacuum switch above the chemical lines to prevent back flow of chemicals into the switch (See drawing below).

2 Bolt the switch to the control box

- 3 Drill a 3/16" hole and mount the buzzer.
- 4 Connect the long rubber hose to the vacuum switch and the middle leg of the plastic tee.
- 5 Connect the two short rubber hoses to the other two legs of the tee.
- 6 Locate the 1/4" chemical pick up line for the sanitizer pump and cut it so that the plastic tee can be put in-line.
- 7 Use cable ties to secure all of the ends of the rubber hose.
- 8 Wire the low level alarm using the wiring instructions.

NOTE: The sensitivity of the chemical alarm switch (091-3080) is adjustable. To adjust the switch, remove the tubing from the barb end of the switch. The adjustment screw is located inside the barb port of the switch and is adjusted with a 5/64 Allen wrench. Turn the screw counter clockwise to decrease the sensitivity of the switch (turning excessively will damage switch). Make sure the chemical buckets are placed on the floor next to the machine.



## LOW LEVEL ALARM WIRING INSTRUCTIONS

- 1 Connect the green kit wire (piggyback end) to the green wire on the cam timer sanitizer switch, bottom terminal. For a detergent alarm the same wire order should be followed only attached to the bottom terminal of the detergent switch of the cam timer.

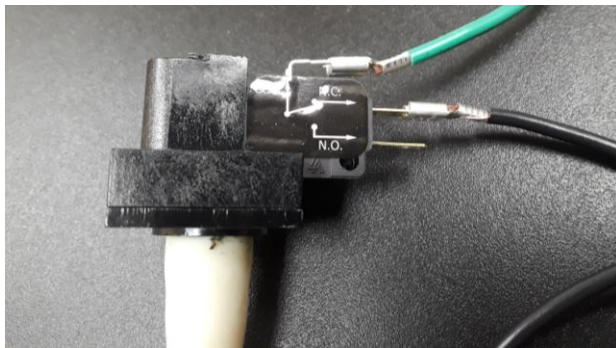
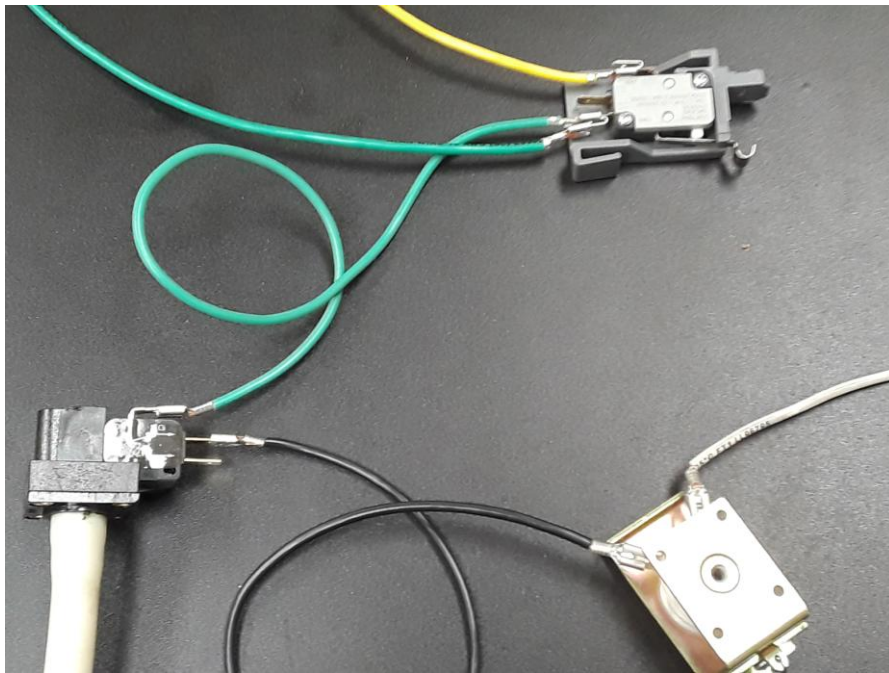
2 Connect the other end of the kit green wire to the (common) terminal (top) of the vacuum switch (091-3080).

3 Connect one end of the black kit wire to the middle terminal on the vacuum switch (NC).

4 Connect the other end of the black kit wire to one of the terminals on the buzzer (037-2102).

5 Connect the spade connector end of the white kit wire to the remaining terminal on the buzzer.

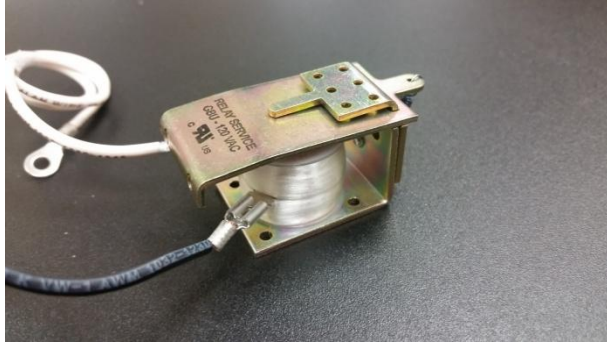
6 Connect the ring terminal end of the white kit wire to the white neutral terminal on the motor contactor in the control box. (See photos below)



Wire connection to the vacuum switch



Wire connections to the cam timer sanitizer



Two wires to the buzzer, mounted in this manner



Connect buzzer white wire to the mtr contactor neutral

### LOW LEVEL ALARM KIT BILL OF MATERIALS-031-0326

QTY	Part Number	Description
1	091-3080	Vacuum Switch
1	092-1137	Fitting, Tee, 1/4" Hose Barb (plastic)
1	087-6700	Squeeze Tube
1	091-5110	Wire, Green 18 GA x 12"
1	091-5108	Wire, White 18 GA x 12"
1	091-5109	Wire, Black 18 GA x 12"
4	091-5202	Terminal, .187 Female Spade
1	091-5210	Terminal, Ring Connector
1	091-5204	Terminal, .187 Piggyback Spade
7	091-5220	Cable Tie, Small
2	098-1213	Screw, #3 x 3/4" Lg SS
2	098-2002	Nut, #3 SS
1	037-2102	Buzzer
1	098-1102	Screw, 6-32 x 1/4" RH SS
1	098-1104	Screw, 6-32 x 1/2" RH SS

## WIRE DESCRIPTIONS

**Green wire** 18 gauge 12" long, 091-5204 .187 piggyback terminal on one end; 091-5202 .187 female spade terminal on the other end.

**White wire** 18 gauge 12" long, 091-5202 .187 female spade terminal on one end; 091-5210 ring terminal on the other end.

**Black wire** 18 gauge 12" long, 091-5202 .187 female spade terminal on both ends.