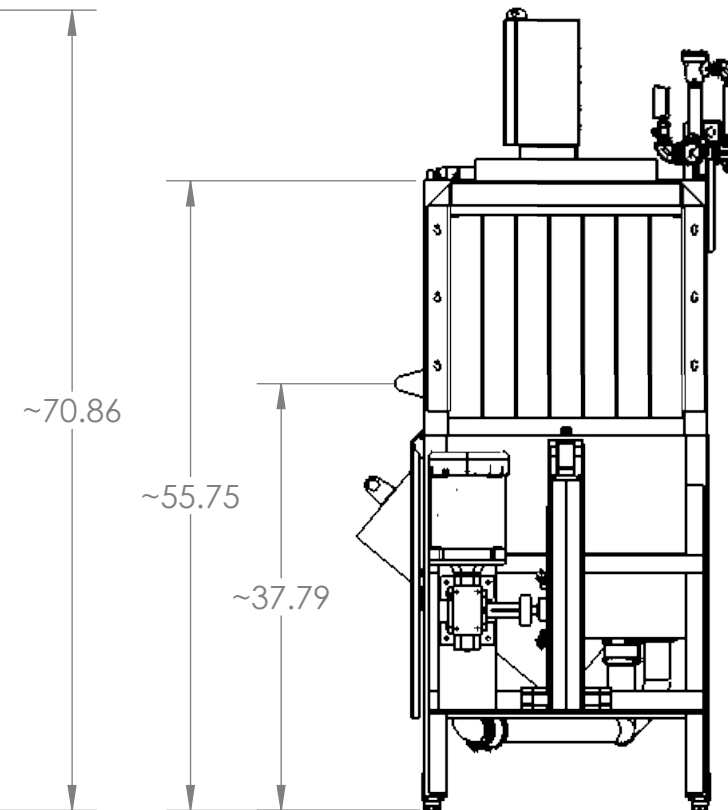
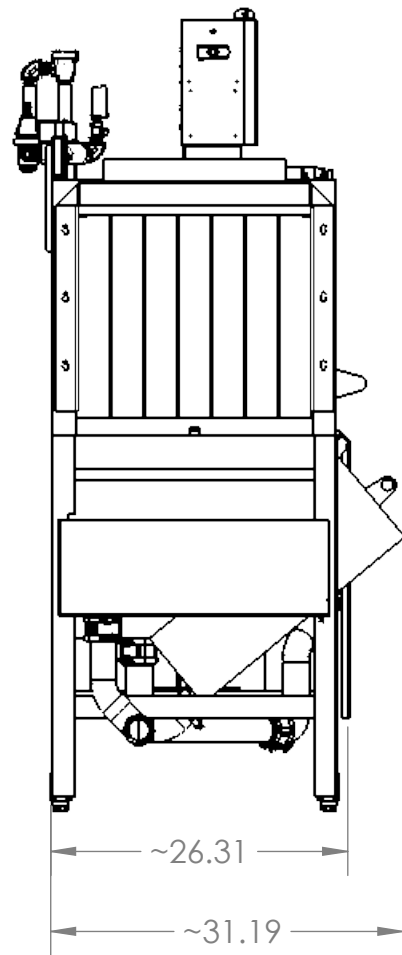
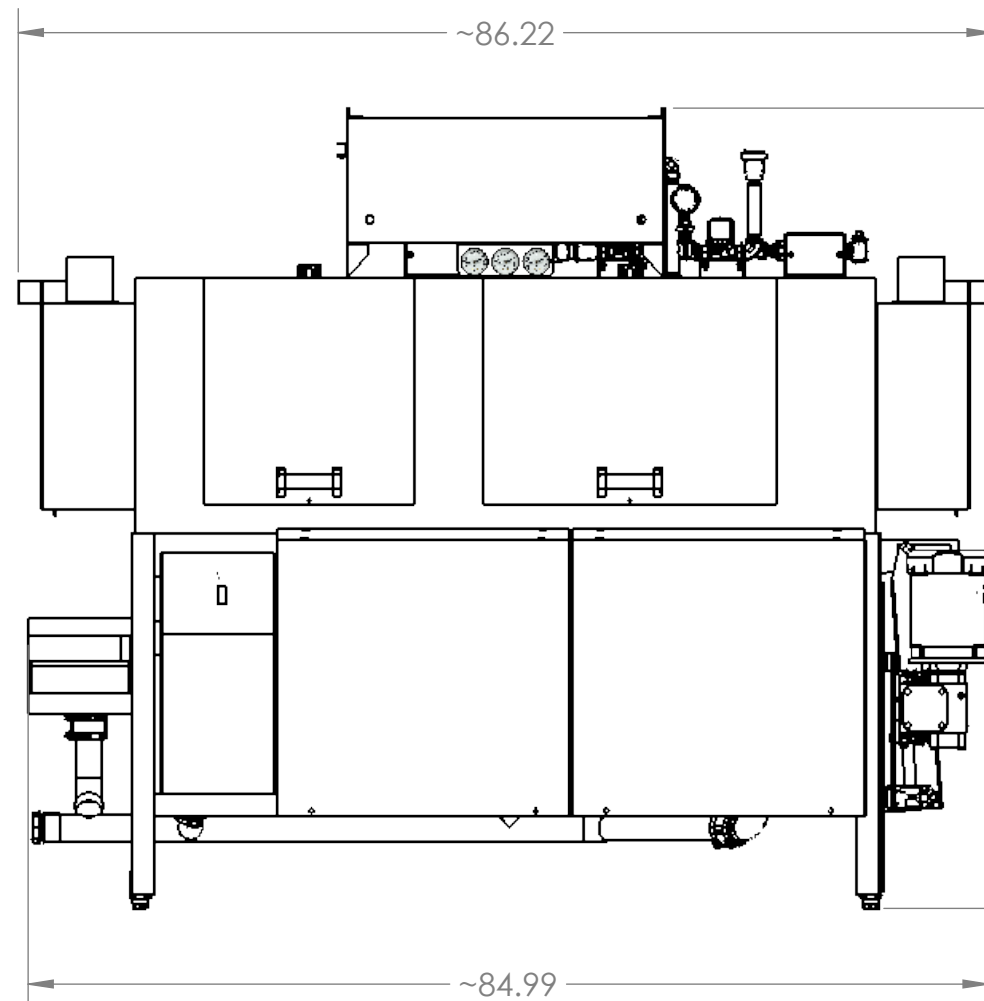
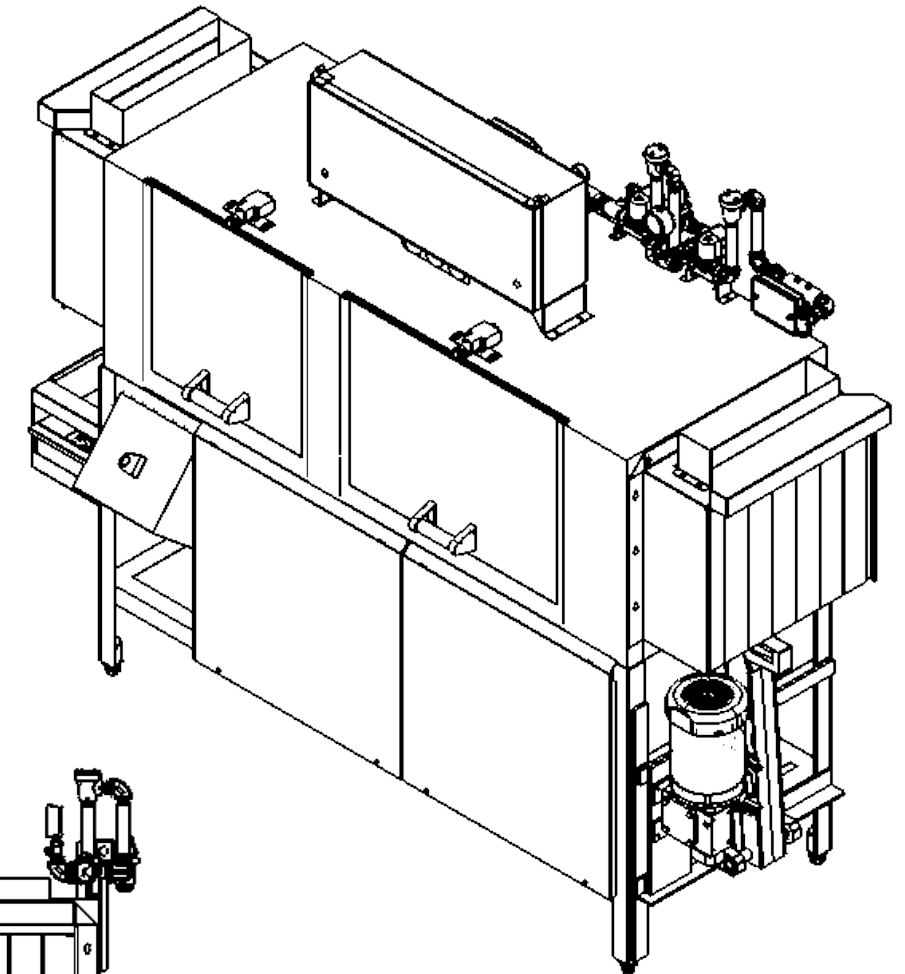
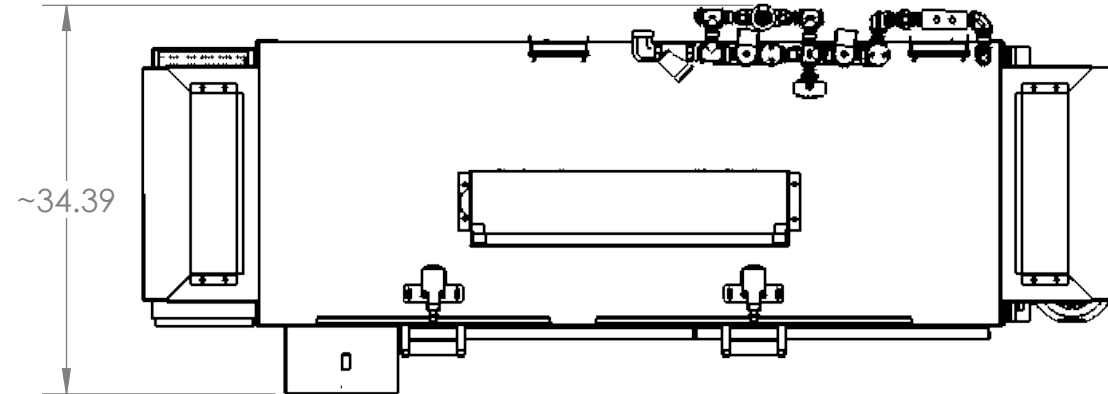



REVISIONS

REV.	DESCRIPTION	DRAWN	DRAWN DATE	ENGINEERING APPROVAL	ENGINEERING APPROVAL DATE
------	-------------	-------	------------	----------------------	---------------------------



UNLESS OTHERWISE SPECIFIED:		NAME	DATE	TITLE:	
DIMENSIONS ARE IN INCHES	AUTHOR	Sanchit L.		ADC-66	
TOLERANCES:	DRAWN	Sanchit L.	05-06-2024		
FRACTIONAL +/- 1/64	CHECKED			SIZE	DWG. NO.
ANGULAR: MACH +/- .25 BEND +/- 1	ENG APPR.			B	213-0066
TWO PLACE DECIMAL: +/- .010	MFG APPR.			SCALE: 1:17	WEIGHT: 414.7
THREE PLACE DECIMAL: +/- .005	Q.A.			SHEET 1	OF 1
MATERIAL:					
FINISH:					
DO NOT SCALE DRAWING				REV A	

PROPRIETARY AND CONFIDENTIAL  
 THE INFORMATION CONTAINED IN THIS DRAWING IS THE SOLE PROPERTY OF AMERICAN DISH SERVICE. ANY REPRODUCTION IN PART OR AS A WHOLE WITHOUT THE WRITTEN PERMISSION OF AMERICAN DISH SERVICE IS PROHIBITED.