

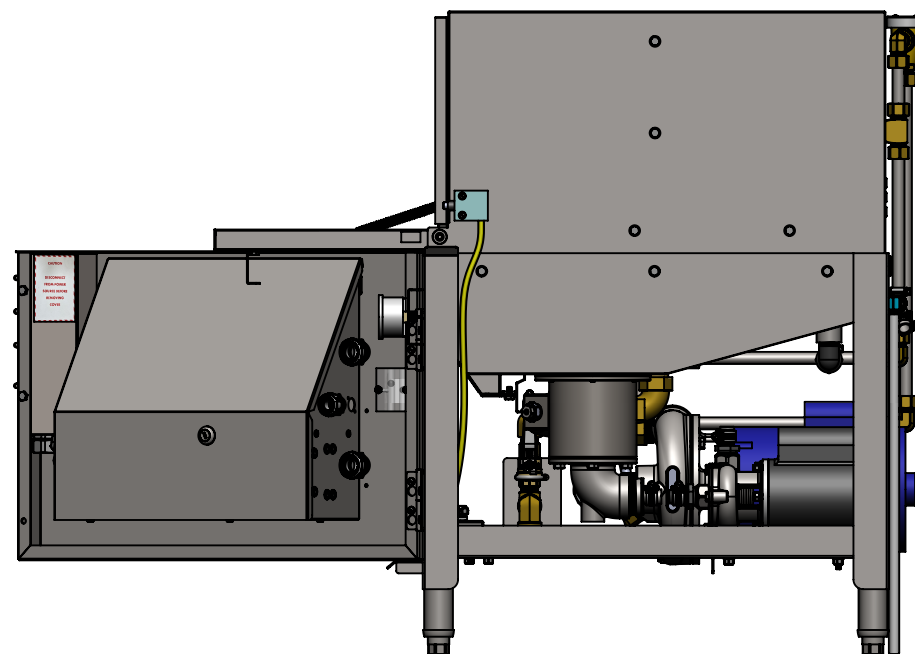
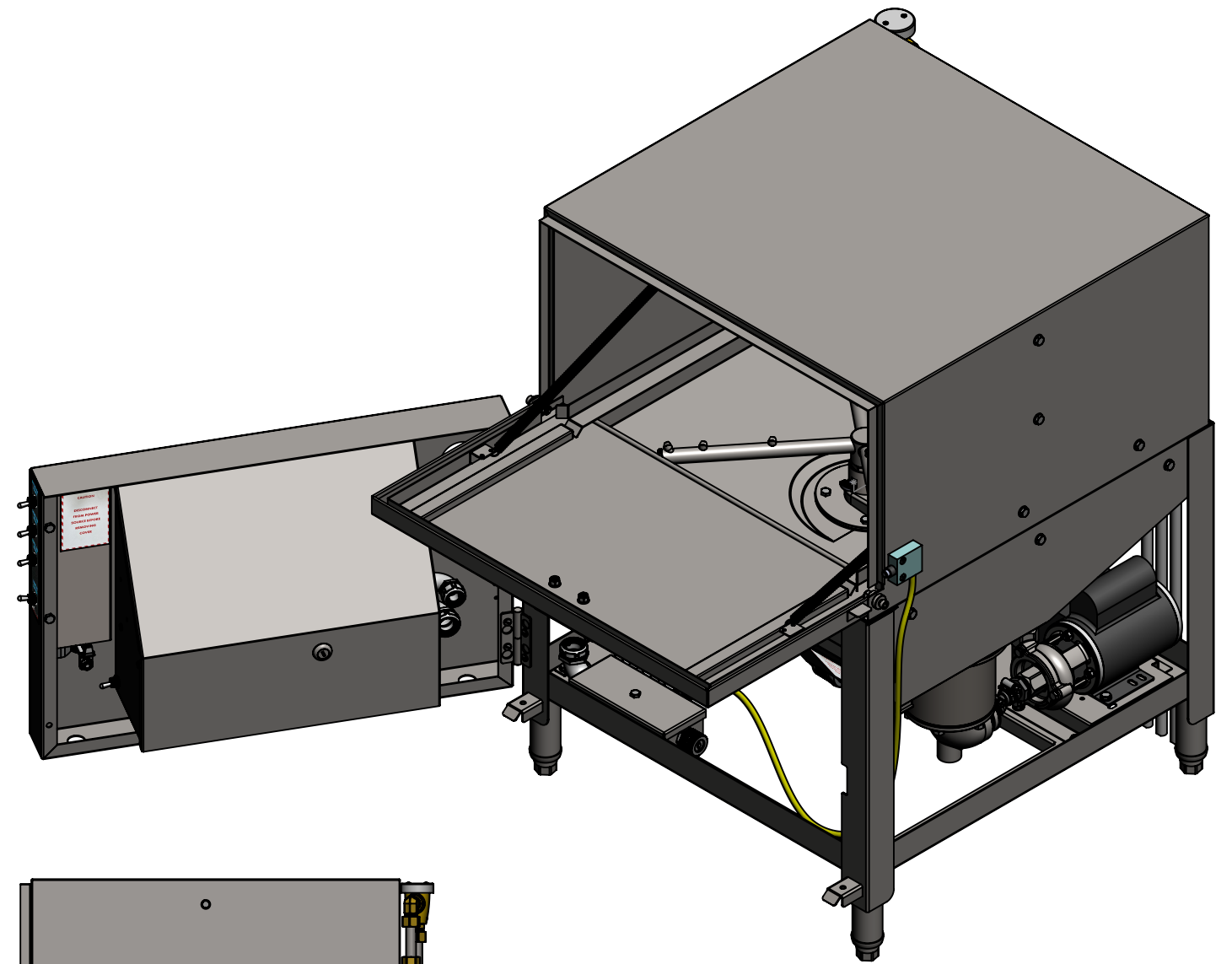
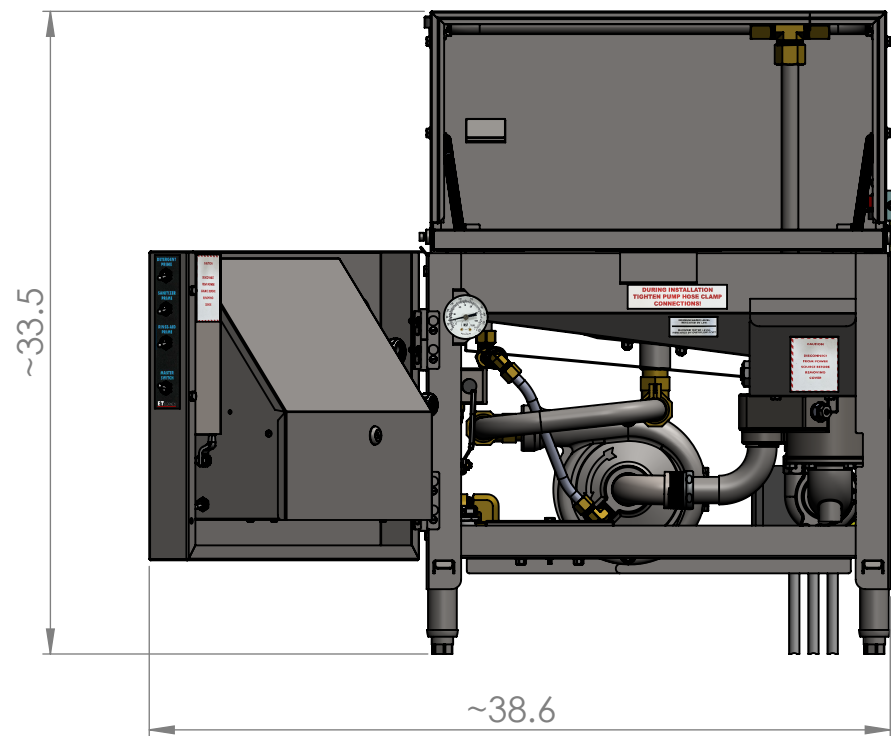
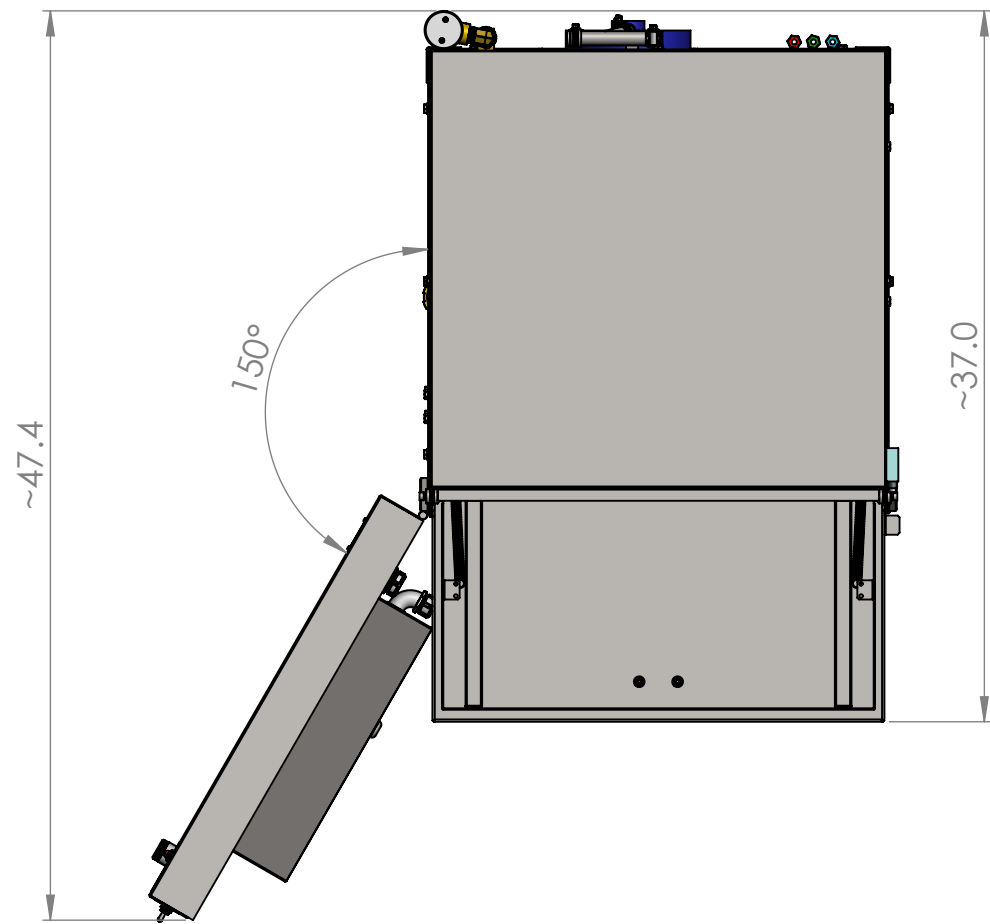
PROPRIETARY AND CONFIDENTIAL
 THE INFORMATION CONTAINED IN THIS DRAWING IS THE SOLE PROPERTY OF AMERICAN DISH SERVICE. ANY REPRODUCTION IN PART OR AS A WHOLE WITHOUT THE WRITTEN PERMISSION OF AMERICAN DISH SERVICE IS PROHIBITED.

UNLESS OTHERWISE SPECIFIED:
 DIMENSIONS ARE IN INCHES
 TOLERANCES:
 FRACTIONAL +/- 1/64
 ANGULAR: MACH +/- .25 BEND +/- 1
 TWO PLACE DECIMAL: +/- .010
 THREE PLACE DECIMAL: +/- .005
 MATERIAL:
 FINISH:
DO NOT SCALE DRAWING

	NAME	DATE
AUTHOR	ABHISHEK S.	
DRAWN	ABHISHEK S.	4/29/2024
CHECKED		
ENG APPR.		
MFG APPR.		
MATERIAL:	Q.A.	



TITLE:		ET-AF-M-PH	
SIZE	DWG. NO.	REV	
B	022-0091	A	
SCALE: 1:8	WEIGHT:	SHEET 1 OF 2	



PROPRIETARY AND CONFIDENTIAL
 THE INFORMATION CONTAINED IN THIS DRAWING IS THE SOLE PROPERTY OF AMERICAN DISH SERVICE. ANY REPRODUCTION IN PART OR AS A WHOLE WITHOUT THE WRITTEN PERMISSION OF AMERICAN DISH SERVICE IS PROHIBITED.

UNLESS OTHERWISE SPECIFIED:
 DIMENSIONS ARE IN INCHES
 TOLERANCES:
 FRACTIONAL +/- 1/64
 ANGULAR: MACH +/- .25 BEND +/- 1
 TWO PLACE DECIMAL: +/- .010
 THREE PLACE DECIMAL: +/- .005
 MATERIAL:
 FINISH:
DO NOT SCALE DRAWING

	NAME	DATE
AUTHOR	ABHISHEK S.	
DRAWN	ABHISHEK S.	4/29/2024
CHECKED		
ENG APPR.		
MFG APPR.		
Q.A.		



TITLE:		ET-AF-M-PH	
SIZE	DWG. NO.	REV	
B	022-0091	A	
SCALE: 1:10	WEIGHT:	SHEET 2 OF 2	