

HT-34



Extremely Versatile

The only NSF approved machine to clean “utensils, pots, pans & dishes”

Ideal for supermarkets, schools, bakeries, commissaries, & caterers

STANDARD FEATURES

- Dual sanitizer – low or high* temp
- Patented self cleaning spray system
- Auto fill and auto shut off
- ADS patented low-water tank protection
- Clean pots, pans, or utensils in the provided stainless steel rack or wash dishes with standard dish racks



© American Dish Service

900 Blake Street | Edwardsville, Kansas, 66111
Phone: 913.422.3700 | Toll-Free: 800.922.2178 | Fax: 913.422.6630
orders@americandish.com | americandish.com

For detailed specifications, go to
www.americandish.com

HT-34

Extremely Versatile

Standard Features

- NSF rating to clean pots & dishes
- 60 second time cycle
- Wash extender for extra scouring time
- Optional built-on 70 degree rise booster
- Built-in scrap accumulator - keeps wash tank clean
- 1.25 gallons per rack
- 23" door opening
- Powerful 3 HP wash pump



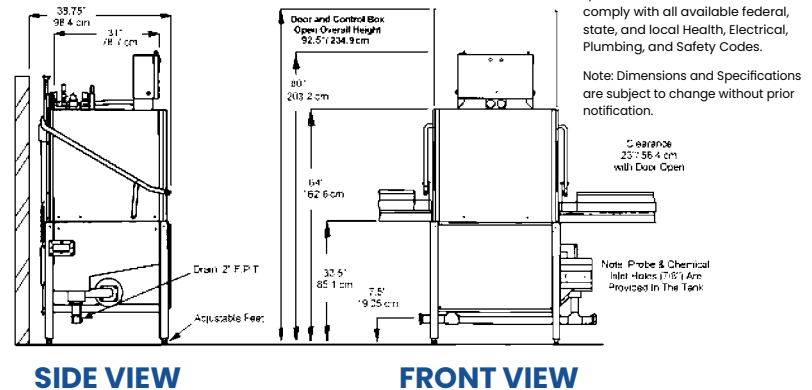
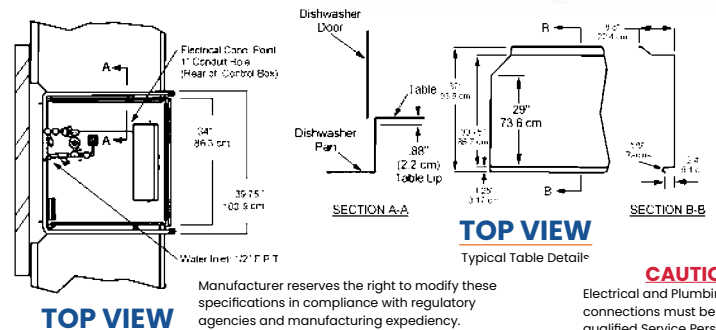
Model HT-34 Specifications

U.S. REGISTERED PATENTS

	Hot Temp	Chemical
Rated Capacity (Racks/Hr.)	.55 NSF rated	55 NSF rated
Wash Tank Capacity	15.8 Gal. (49.81 lit.)	15.8 Gal. (49.81 lit.)
Water Temperature, Wash	160.0° F (71° C)	120.0.0° F (48.8° C)
Water Temperature, Rinse	180.0° F (82.2° C)	120.0° F (48.8° C)
Sanitizer	180.0° F (82.2° C)	50 PPM Chlorine
Water Consumption	1.23 GPR (4.66 LPR)	1.23 GPR (4.66 LPR)
Wash Motor	3HP	

ELECTRICAL REQUIREMENTS: 3-PH: 208/240V, 40 amp, 60 Hz
(5-wire connection, neutral, ground, 3 #8 power wires, 50a capacity)
HT-34 w/Factory Installed Booster (3-PH Only): Single point connection requires 208/240V, 3Ph, 50a, 5-wire connection (Neutral, Ground, 3 #8 ga. power wires, 65a capacity) High leg goes to L-3

Wash Heater	8 Kw
Rack Size	Large 29" (73.6 cm) Standard: 19.75" (50.1 cm)
Door Clearance	23" (58.4 cm)
Water Inlet	0.5" F.P.T.
Drain Size	2.0" F.P.T.
Height (All Doors Closed)	80" (203.2 cm)
Width, Table To Table (Inline Model)	34" (86.3 cm)
Width w/Scrap Accumulator (Overall)	48" (121.92 cm)
Depth (Overall)	38" (98.4 cm)
Shipping Weight	570 Lbs. (258.6)
Shipping Weight w/ Built on Booster	652 Lbs. (295.7)
Shipping Dimensions	54" L X 49" W X 89" H (137.2 cm X 124.5 cm X 226.1 cm)



*Requires external hot water source that will provide at least 68 gallons of 180 degree water an hour

Effective 2/2023

Warning: Cancer and Reproductive Harm - www.P65Warnings.ca.gov



© American Dish Service

900 Blake Street | Edwardsville, Kansas, 66111
913.422.3700 | Toll-Free: 800.922.2178 | Fax: 913.422.6630
orders@americandish.com | americandish.com