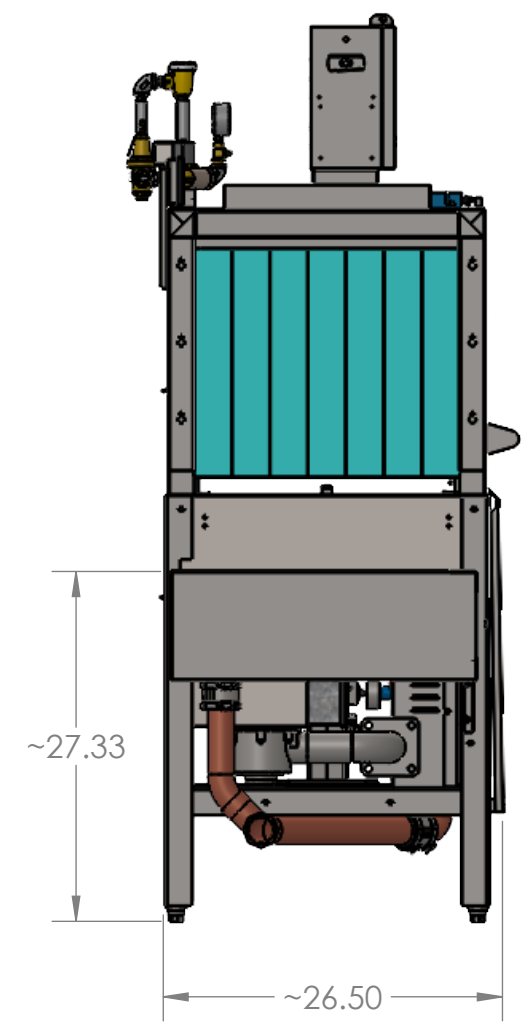
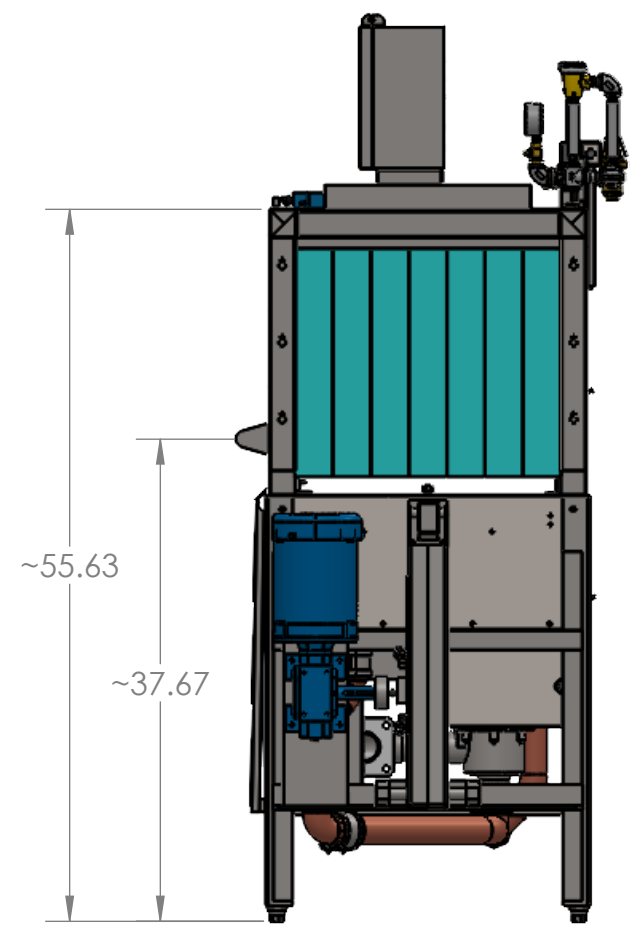
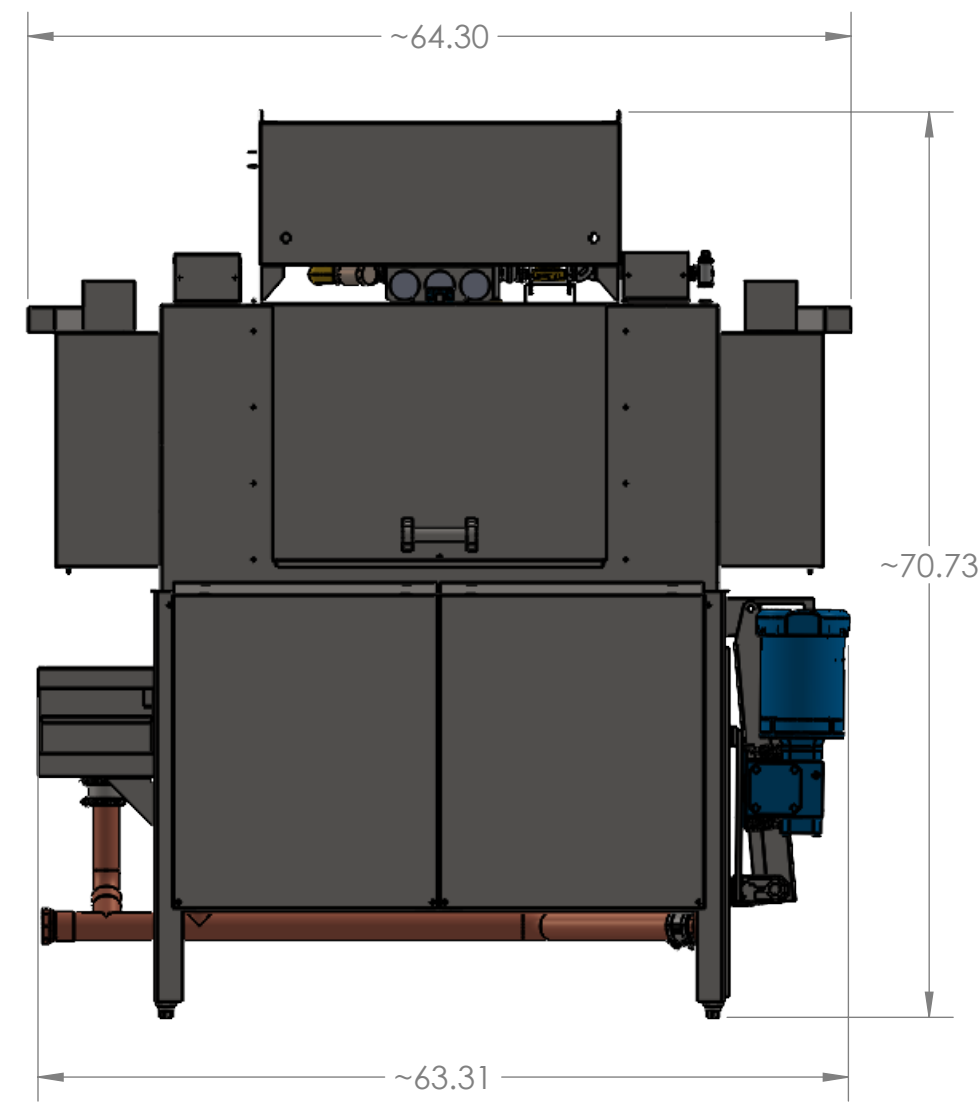
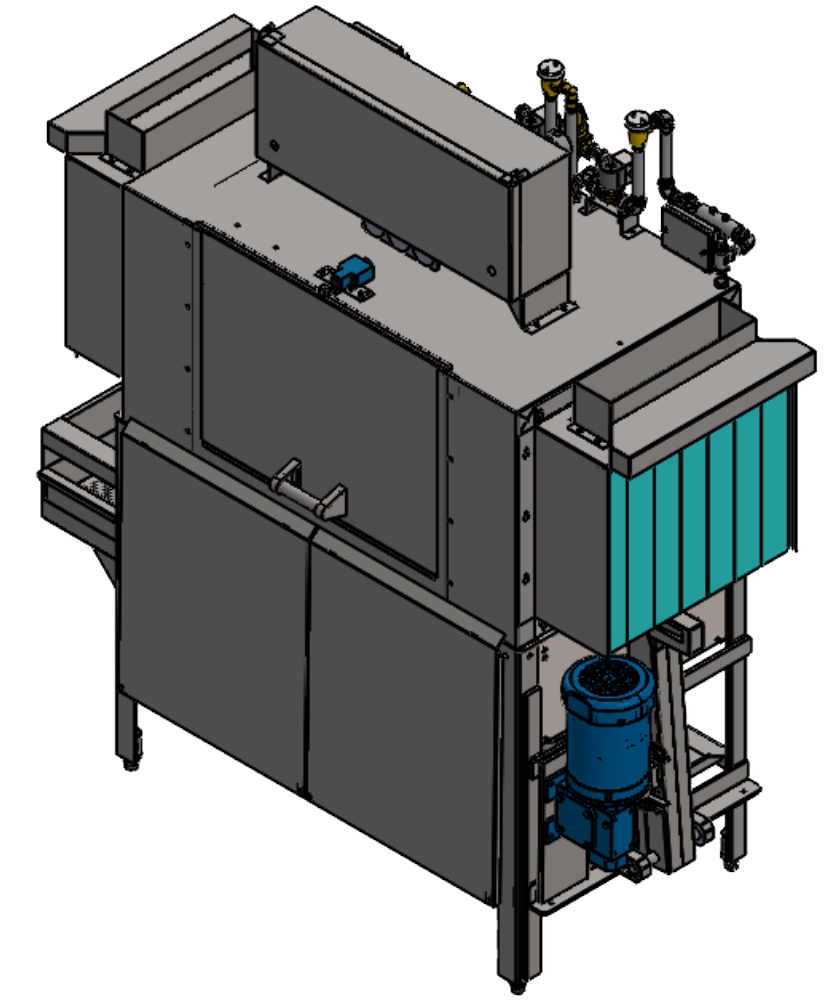
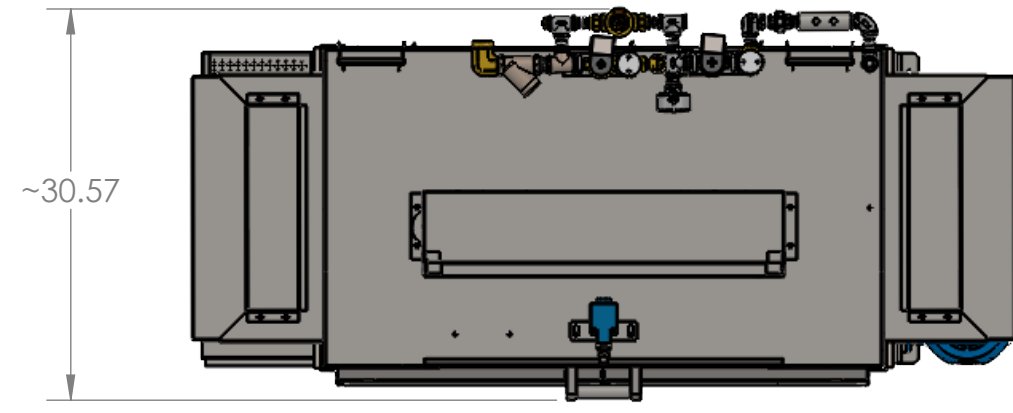



REVISIONS

REV.	DESCRIPTION	DRAWN	DRAWN DATE	ENGINEERING APPROVAL	ENGINEERING APPROVAL DATE
------	-------------	-------	------------	----------------------	---------------------------



UNLESS OTHERWISE SPECIFIED:			TITLE:	
DIMENSIONS ARE IN INCHES	AUTHOR	NAME	DATE	ADC-44
TOLERANCES:	DRAWN	Sanchit L.	05-06-2024	
FRACTIONAL +/- 1/64	CHECKED			
ANGULAR: MACH +/- .25 BEND +/- 1	ENG APPR.			
TWO PLACE DECIMAL: +/- .010	MFG APPR.			
THREE PLACE DECIMAL: +/- .005	Q.A.			SIZE DWG. NO. REV
MATERIAL:			B 211-0044 A	
FINISH:	Manufacturers of Ware Washing Equipment		SCALE: 1:15 WEIGHT: 406.67 SHEET 1 OF 1	
DO NOT SCALE DRAWING				

PROPRIETARY AND CONFIDENTIAL
 THE INFORMATION CONTAINED IN THIS DRAWING IS THE SOLE PROPERTY OF AMERICAN DISH SERVICE. ANY REPRODUCTION IN PART OR AS A WHOLE WITHOUT THE WRITTEN PERMISSION OF AMERICAN DISH SERVICE IS PROHIBITED.