

Models ASL/ASL-T



Unique Single Lift Door for Full Cabinet Access

Single Lift Door Operation provides versatility for Corner or Pass-thru application in any Single Rack, low-temp configuration.

Features and Benefits

Cleaning power and Energy Star performance, all with Low-temp simplicity

- 1.5 HP Stainless Steel pump with Dual Screen Pump protection
- Optional Multi-Cycle Times, 90, 120, 150 seconds
- Reliable On-Board chemical delivery system
- Simple Inside Sump drain assembly
- Unique single-lift door system offers smooth effortless operation
- Easily convertible from pass-thru, to corner application
- ASL-T – 27.5" door opening allows washing of several sheet pans with provided S/S pan rack
- Optional – IRMA Control Head
- Optional – Machine mounted, Hubbell 40 degree rise preheater
- **Configure for corner:** Kit #087-6120 Splash Shield



Door Open



Door Closed

For detailed specifications, go to www.americandish.com



© American Dish Service

900 Blake Street | Edwardsville, Kansas, 66111
Phone: 913.422.3700 | Toll-Free: 800.922.2178 | Fax: 913.422.6630
orders@americandish.com | americandish.com

Models ASL/ASL-T

Unique Single Lift Door for Full Cabinet Access

Recommended Options

IRMA Fully Programmable Control Head

Our innovative, low maintenance, machine controller reduces costly service visits. With fully programmable features, and Bluetooth connectivity for monitoring.

Programming Advantages:

Easy de-lime cycle/multi-time cycle options, for low water pressure tolerance.

Hubble Heat Booster

Hubbell preheater ensures a steady supply of 130°-140° water for proper cleaning and sanitation.

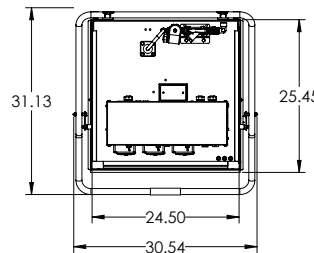


Model ASL/ASL-T Specifications

U.S. REGISTERED PATENTS

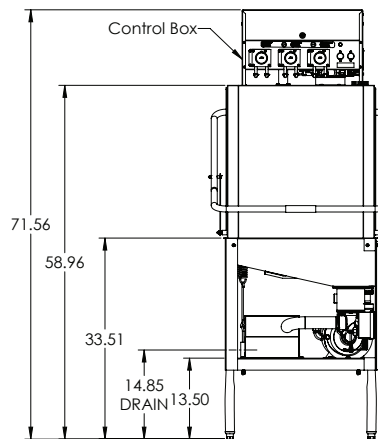
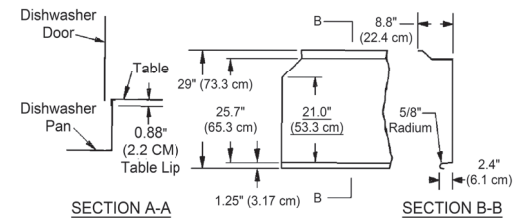
Rated Capacity (Racks/Hr.)	.37	25	12
Wash Time (Sec.)	.50	60	75
Rinse Time (Sec.)	.30	45	60
Dwell (Sec.)	.10	15	15
Total Cycle Time (Sec.)	.90	120	150
Water Temperature (Supply)	120° F Min. (49° C Min)		
Water Consumption (Per Cycle)	.959 GPR		
Motor	1.5HP		
Electrical Ratings	115 Volts, 15a, Single-Phase		
Connect to clean circuit using 10-12 AWG copper wires.			
Circuit protection 20a circuit breaker or fuse with 20a rating			
Rack Size	19.75" x 19.75" (50.2 cm x 50.2 cm)		
Door Clearance on ASL	.21" x 20.50"		
Door Clearance on ASL-T	.30" x 20.50"		
Water Inlet	.5" FPT		
Drain Exit	2.0" Pipe		
Drain Height	14.5" to Center		
Height ASL (Door Open)	80.5" or 204.4 cm		
Height ASL-T (Door Open)	94.5" or 240.0 cm		
Height ASL (Door Closed)	71.25" or 180.9 cm		
Height ASL-T (Door Closed)	78.75" or 200 cm		
Width (Overall)	33.5" or 85.1 cm		
Width (Table to Table)	25" or 63.5 cm		
Depth (Overall)	34" or 86.3 cm		
Shipping Weight ASL	.252 lb. or 114.3 kg		
Shipping Weight ASL-T	.264 lb. or 119.7 kg		
Shipping Dimensions ASL	36" L x 36" W x 78"H		
	91.4 cm x 91.4 cm x 198.1 cm		
Shipping Dimensions ASL-T	36" L x 36" W x 85"H		
	91.4 cm x 91.4 cm x 215.9 cm		

TOP VIEW

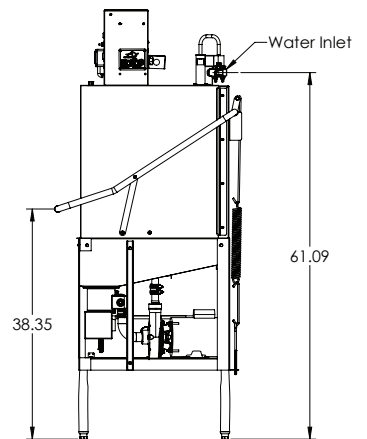


TOP VIEW

Typical Table Details



FRONT VIEW



SIDE VIEW

All dimensions listed have a tolerance of +/- 1/8" unless otherwise noted.

Manufacturer reserves the right to modify these specifications in compliance with regulatory agencies and manufacturing expediency.



Warning: Cancer and Reproductive Harm - www.P65Warnings.ca.gov



© American Dish Service

900 Blake Street | Edwardsville, Kansas, 66111

913.422.3700 | Toll-Free: 800.922.2178 | Fax: 913.422.6630

orders@americandish.com | americandish.com