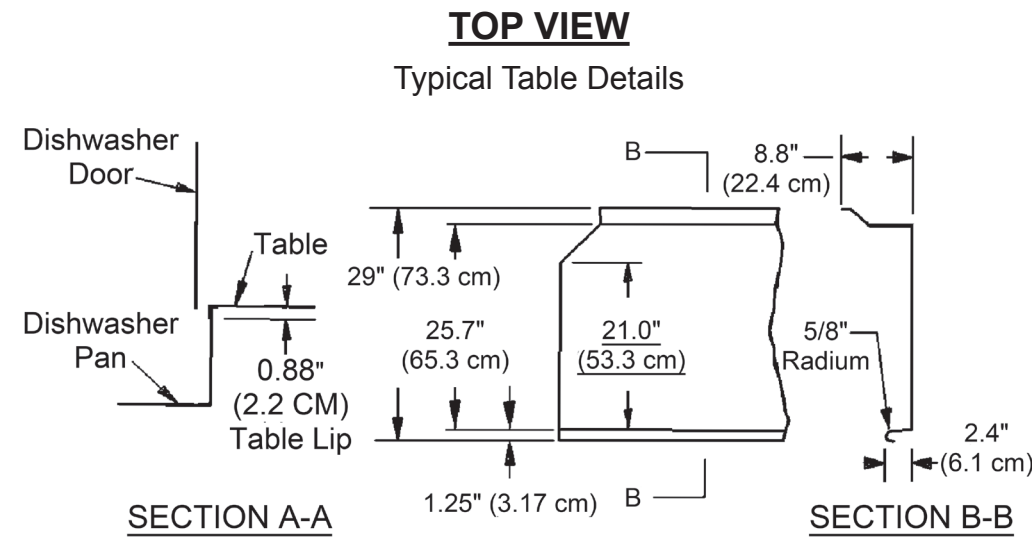
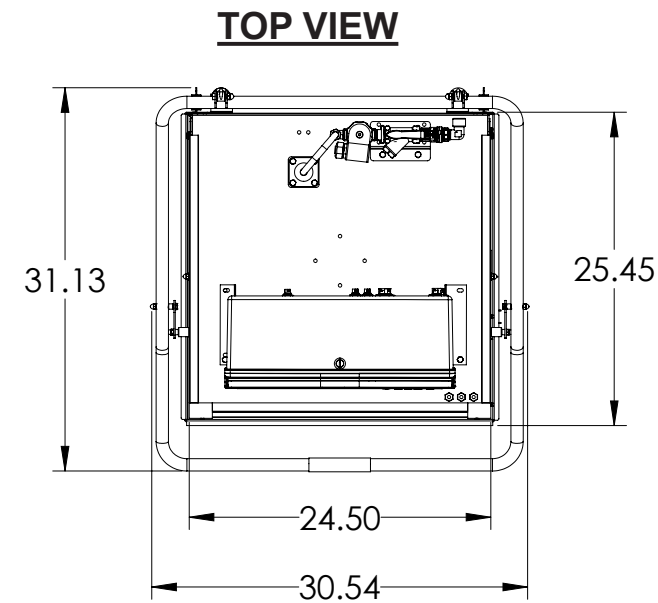


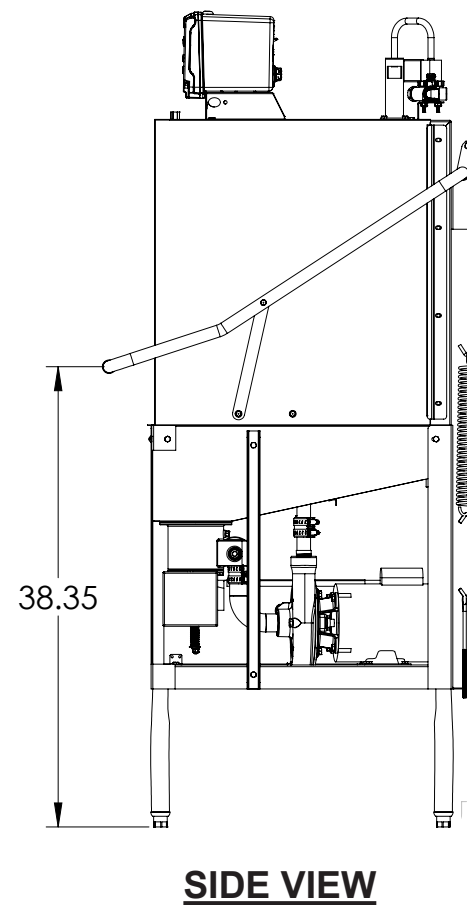
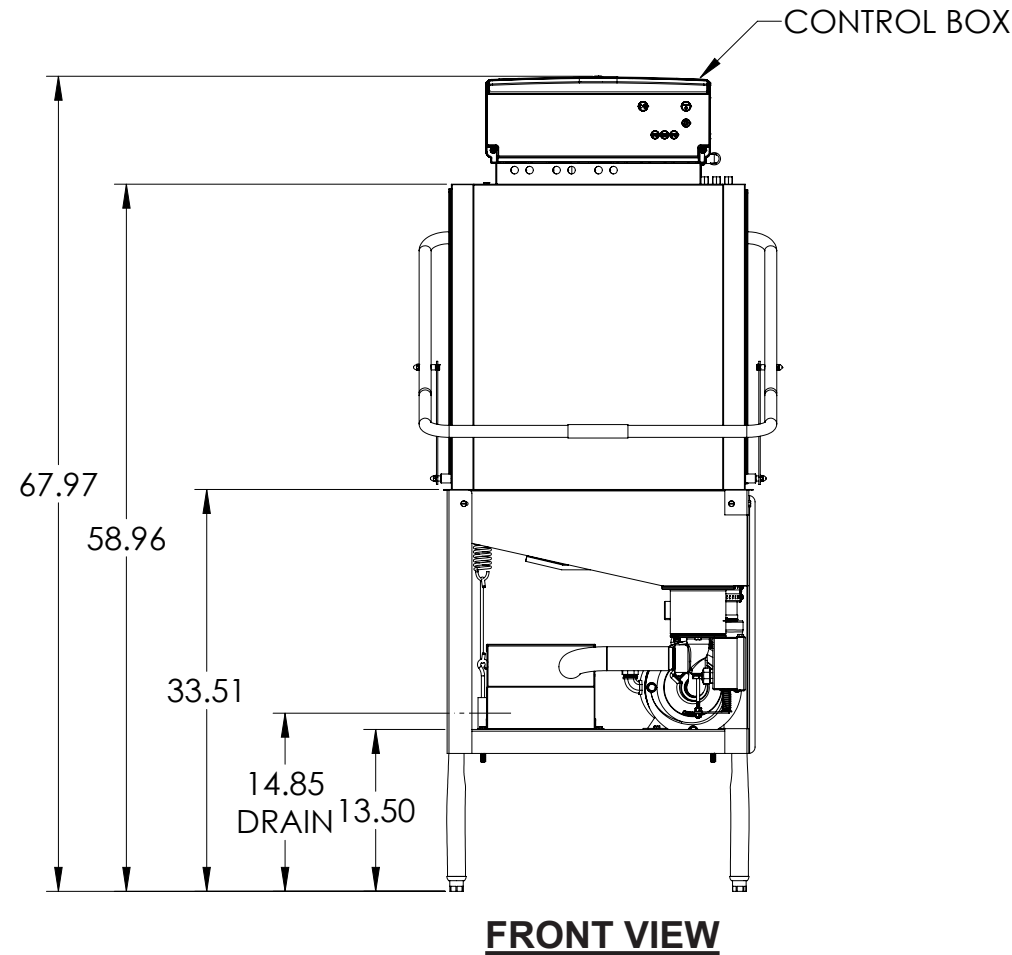
ASL or ASL-T With IRMA Specifications

U.S. REGISTERED PATENTS

Rated Capacity (Racks/Hr.)	37	25	12
Wash Time (Sec.)	50	60	75
Rinse Time (Sec.)	30	45	60
Dwell (Sec.)	10	15	15
Total Cycle Time (Sec.)	90	120	150
Water Temperature (Supply)	120° F Min. (49° C Min)		
Water Consumption (Per Cycle)959 GPR		
Motor	1.5HP		
Electrical Ratings	115 Volts, 15a, Single-Phase		
	Connect to clean circuit using 10-12 AWG copper wires.		
	Circuit protection 20a circuit breaker or fuse with 20a rating		
Rack Size	19.75" x 19.75" (50.2 cm x 50.2 cm)		
Door Clearance on ASL	21" x 20.50"		
Door Clearance on ASL-T	30" x 20.50"		
Water Inlet0.5" FPT		
Drain Exit2.0" Pipe		
Drain Height	14.5" to Center		
Height ASL (Door Open)	80.5" or 204.4 cm		
Height ASL-T (Door Open)	94.5" or 240.0 cm		
Height ASL (Door Closed)	71.25" or 180.9 cm		
Height ASL-T (Door Closed)	78.75" or 200 cm		
Width (Overall)33.5" or 85.1 cm		
Width (Table to Table)25" or 63.5 cm		
Depth (Overall)34" or 86.3 cm		
Shipping Weight ASL252 lb. or 114.3 kg		
Shipping Weight ASL-T264 lb. or 119.7 kg		
Shipping Dimensions ASL	36" L x 36" W x 78"H		
	91.4 cm x 91.4 cm x 198.1 cm		
Shipping Dimensions ASL-T	36" L x 36" W x 85"H		
	91.4 cm x 91.4 cm x 215.9 cm		



Note: All dimensions listed have a tolerance of (+) or (-) 1/8" unless otherwise noted.



Note:
All dimensions listed have a tolerance of +/- 1/8" unless otherwise noted.
Manufacturer reserve the right to modify these specifications in compliance with regulatory agencies and manufacturing expediency.

Caution:
Electrical and Plumbing connection must be made by a qualified Service Person who will ensure that the installation complies with all applicable federal, state and local Health, Electrical, Plumbing, and Safety Codes.